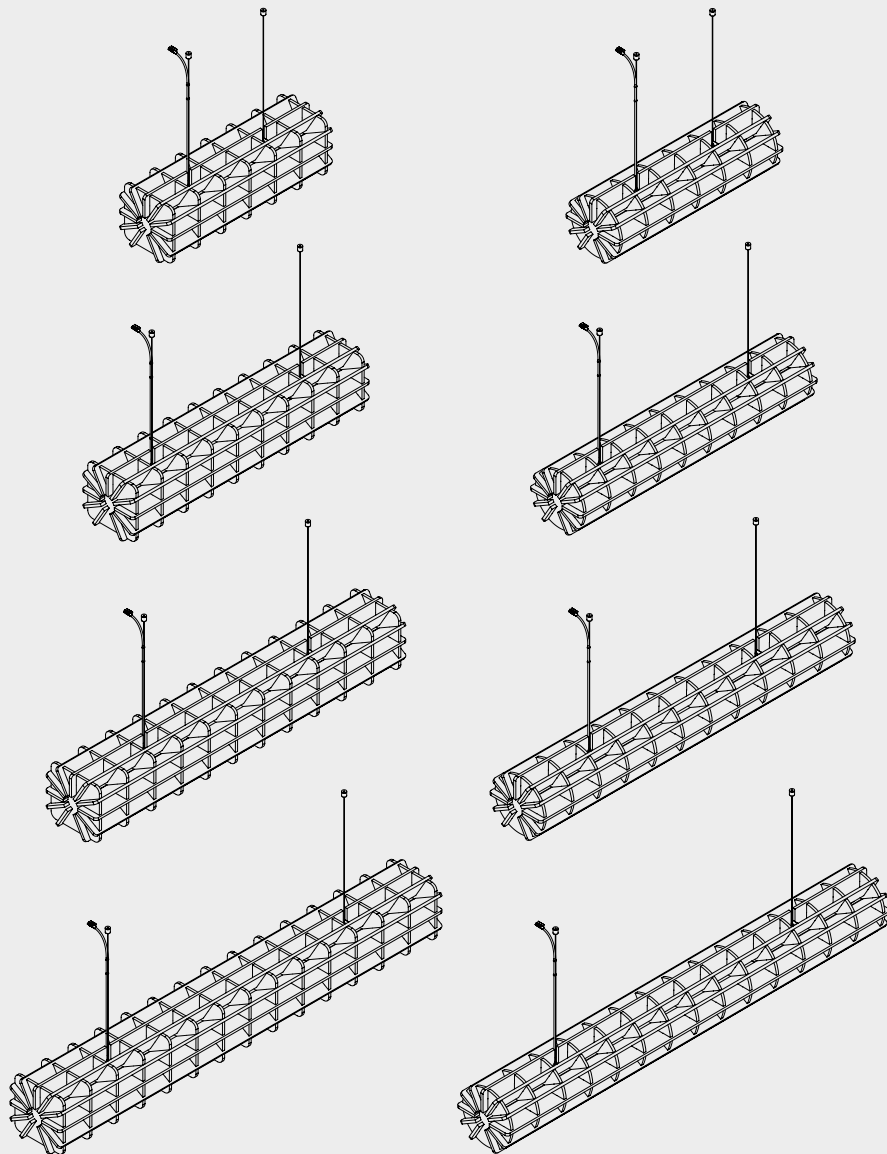


RE:FELT

RADIAL PENDANT LAMP SERIES

INSTALLATION GUIDE



TECHNICAL DATA

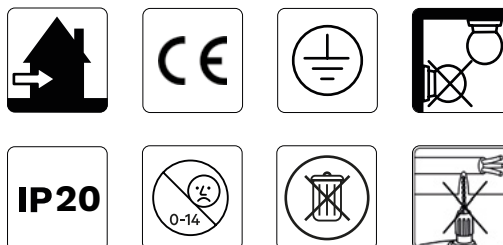
Radial Pendant Lamp Series

EU	
Voltage	220-240V
Frequency	50/60HZ
Light	This product is supplied with a Philips MASTER LEDtube (non-dimmable)
Dimensions lamp	600/900/1200/1500mm
Power	8/12/12,5/18,2W
Colour temperature	4000K
Lamp holder	G13

The LED tube is single-ended. Thus, in the event that you have to reattach the LED tube, make sure to attach the side of the LED tube that is marked with EM/Mains to the fitting with the cable.

INTRODUCTION

- This guide is applicable for Radial Pendant Lamp and Radial Round Pendant Lamp
- Follow the instructions for a safe installation
- Make sure the power has been switched off before installing or cleaning the product.
- Maintain interior lighting with a dry cloth or brush. Do not use alcohol or any other solvent to clean the product. Keep all electrical components dry.



ABOUT

The design of the Radial lamp was inspired by 3D puzzles from our youth. All elements are cut from a PET felt panel and puzzled into this lamp. Using this technique PET Felt panels enable countless creations and applications. The Radial lamps are constructed with an ABS fluorescent holder and a Philips MASTER LEDtube LED TL single ended Type B, Ballast Bypass.

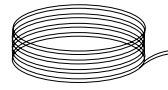
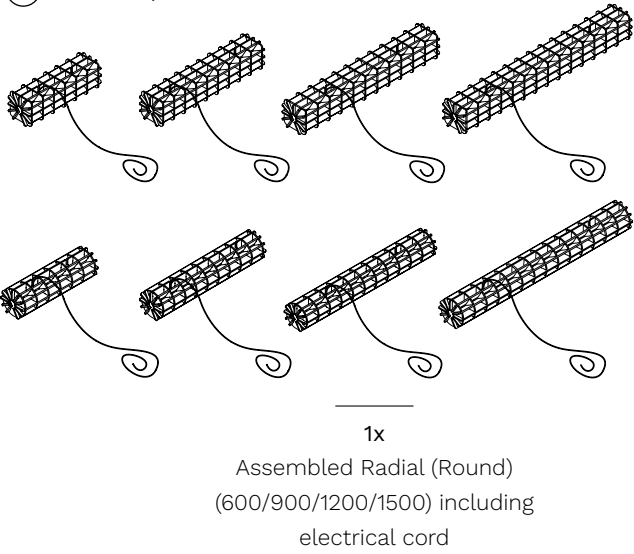
SAFETY PRECAUTIONS

- Follow the instructions for a safe installation.
- Make sure that the power supply has been turned off before installing or cleaning the product.
- The user must observe the safety notes and warnings in order to maintain this status and to ensure safe operation. Never attempt to open the device other than described in this manual. The LED tube cannot be repaired; this part must be immediately disposed in case of a defect. Ensure sufficient ventilation of the device. Never cover it during operation. Do not install in reach of children or animals. The entire product may not be modified or adapted. These safety notes must be observed in all cases! Any warranty claim is void in the case of damages caused by non-observance of these operating instructions. We are not liable for consequential damages or for damages to property or persons caused by non-observance of the safety notes and improper operation of the device. Safe operation is not possible anymore, if:
 - o The LED luminaire has visible damages
 - o The LED luminaire does not work anymore
- Installations should be performed only by persons with electro-technical knowledge and experience.
- Do not use a dimmer to operate this luminaire.

INSTALLATION

① Make sure the power is switched off

② Parts required

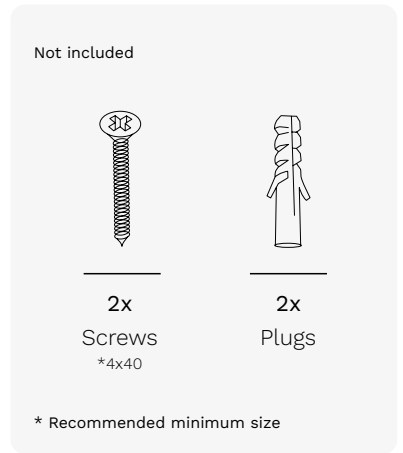


2x
Steel cable

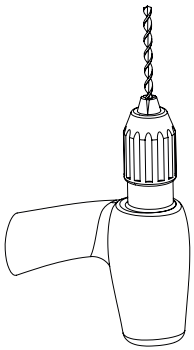


2x
Steel cable

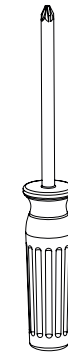
! Make sure you use the correct kind of mounting materials for the ceiling material



③ Tools required



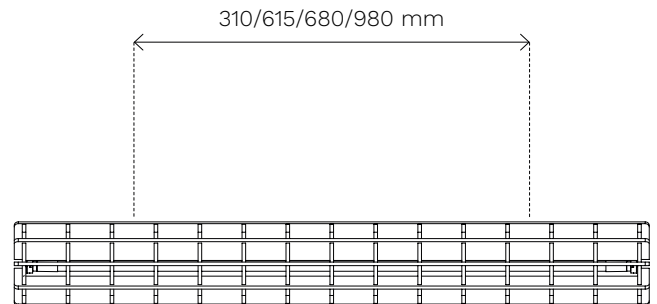
Drill



*Screwdriver

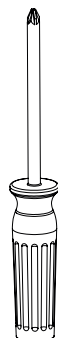
*Tool can vary depending on the type of ceiling

④ Drill holes with 310 or 615 or 680 or 980 mm between them depending on size of the Radial

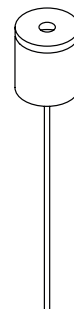
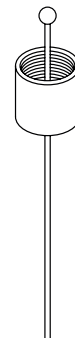


! Make sure you use the correct type of drill for the material you are drilling into

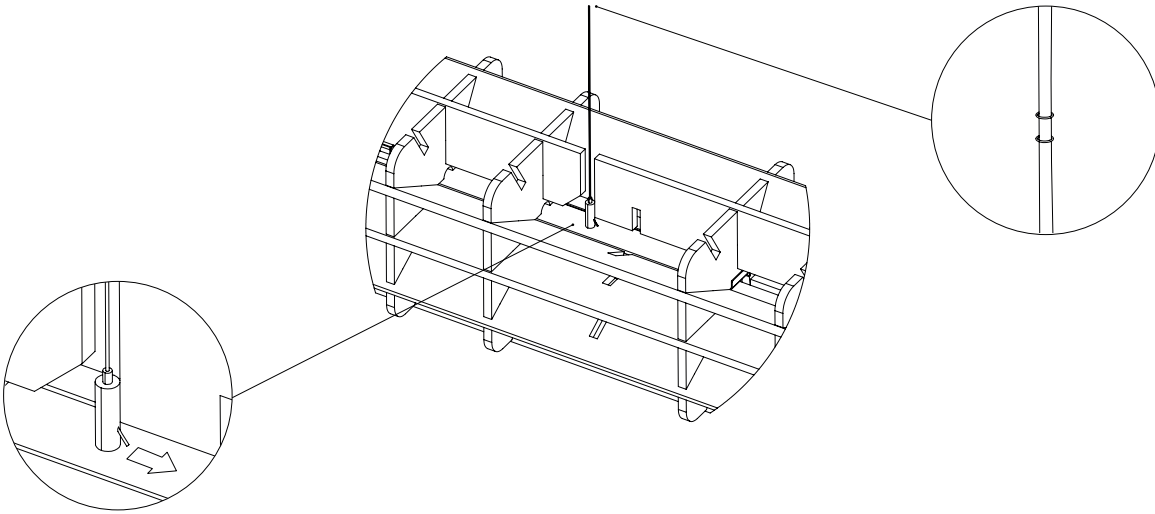
⑤ Insert wall plugs and screw the ceiling mount top into the plug



⑥ Insert the steel cable into the ceiling mount bottom. Then mount the ceiling mount bottom on the ceiling mount top



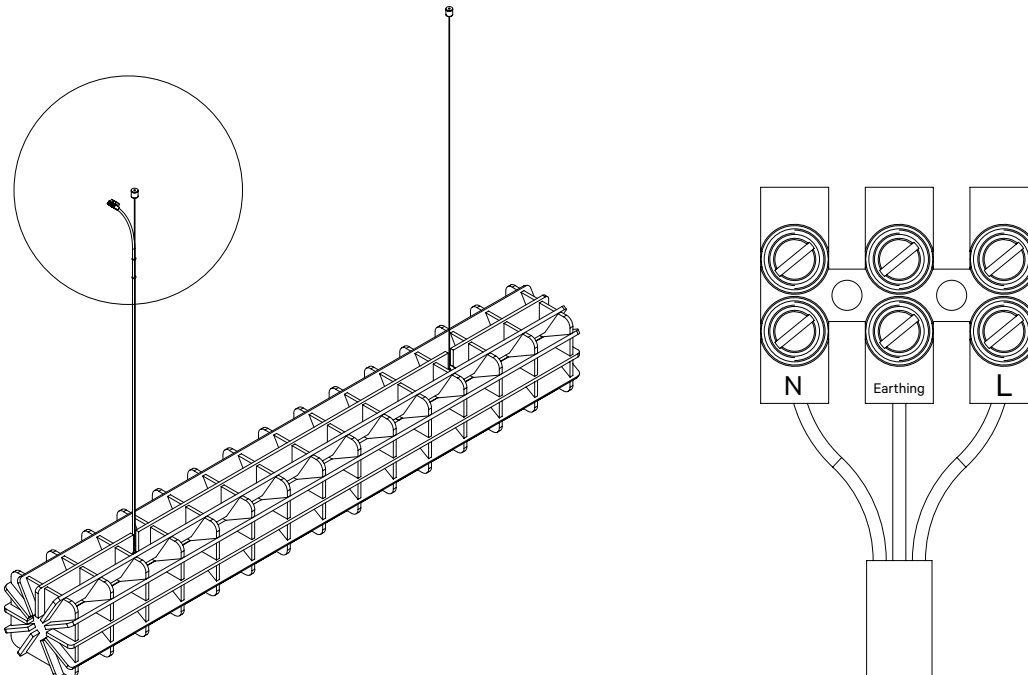
- 7 Push the 2 steel cables into the cable adjusters and adjust them to the correct height



! Make sure to thread the steel cable through the two rubber rings on the electrical cord

- 8 Connect to power supply

Pay attention to the correct colours when connecting the wires: Blue (N), brown (L) and yellow-green (ground wire).
If the fixture is mounted on a metal surface, it must be earthed or connected to earthing from the electrical installation



- 9 Reattaching the LED tube

In the event that you have to reattach the LED tube, make sure to attach the side of the LED tube that is marked with EM/Mains to the fitting with the cable.