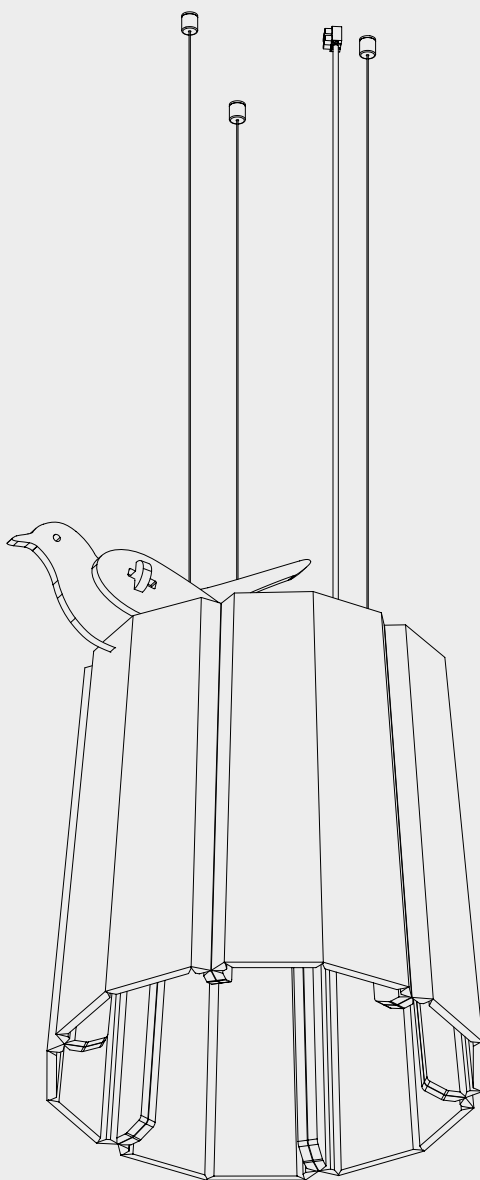


# ASTER SMALL

## INSTALLATION GUIDE



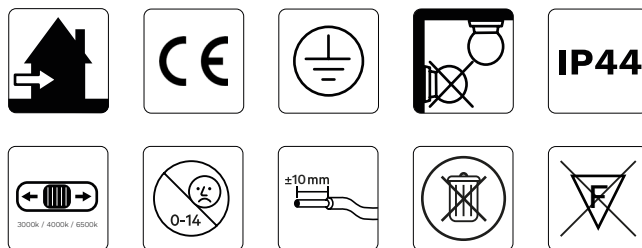
## TECHNICAL DATA

### Light source

Material	PET Felt
Dimensions	Ø420 x 420mm
Weight	2.4kg
Light Source	LED
Base material	Metal
Cover material	PMMA
Operating temperature	-20°C - + 40°C
Input	220-240V 50/60 Hz ac
Energy efficiency class	A++, A+, A (LED)
Rated life hours	> 30000 hours
IP rating	IP44
Max power consumption	12 Watt
Light output	1100 Lumen
Switchable color temperature	3000 - 4000 6500 Kelvin
LED driver included	CE
Electrical safety class	Class 1
Power factor	>0,90

## INTRODUCTION

- This guide is applicable for Aster Small PET Felt Lamp
- Follow the instructions for a safe installation
- Make sure the power has been switched off before installing or cleaning the product.
- Pay attention to the correct color when connecting the wires: protection class I yellow-green (earth wire)
- Maintain interior lighting with a dry cloth or brush. Do not use alcohol or any other solvent to clean the product. Keep all electrical components dry.
- If the fixture is mounted on a metal surface, it must be earthed or connected to earthing from the electrical installation.



## SAFETY PRECAUTIONS

The user must observe the safety notes and warnings in order to maintain this status and to ensure safe operation. Never attempt to open the device other than described in this manual. The LED luminaire cannot be repaired; this part must be immediately disposed in case of a defect. Ensure sufficient ventilation of the device. Never cover it during operation. Do not install in reach of children or animals. The entire product may not be modified or adapted. These safety notes must be observed in all cases! Any warranty claim is void in the case of damages caused by non-observance of these operating instructions. We are not liable for consequential damages or for damages to property or persons caused by non-observance of the safety notes and improper operation of the device. Safe operation is not possible anymore, if:

- the LED luminaire has visible damages
- the LED luminaire does not work anymore

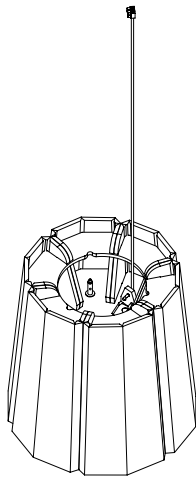
### Attention!

- Installation only by persons with electro technical knowledge and experience.
- Do not use a dimmer to operate this luminaire.

# INSTALLATION

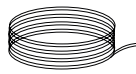
① Make sure the power is switched off

② Parts required



1x

Assembled Aster Small including electrical cord



3x

Steel cable



3x

Ceiling mount



Make sure you use the correct kind of mounting materials for the ceiling material

Not included



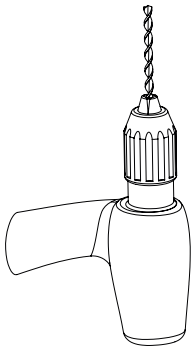
3x  
Screws  
\*4x40



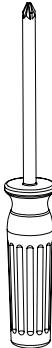
3x  
Plugs

\* Recommended minimum size

③ Tools required



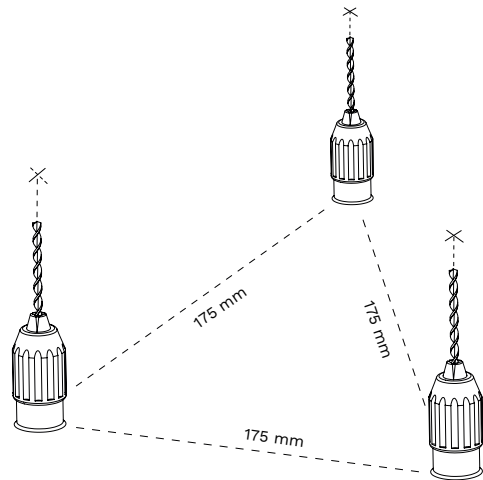
Drill



\*Screwdriver

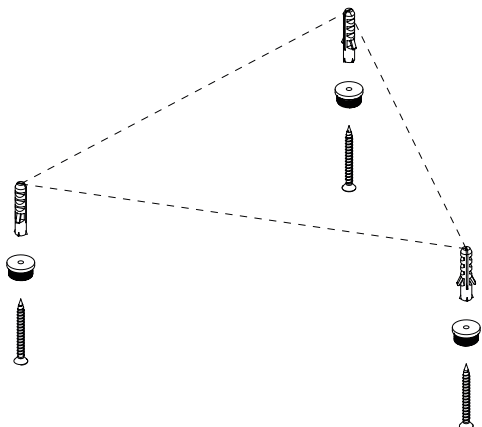
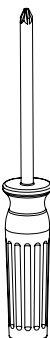
\*Tool can vary depending on the type of ceiling

④ Drill three holes with the corresponding distance between them

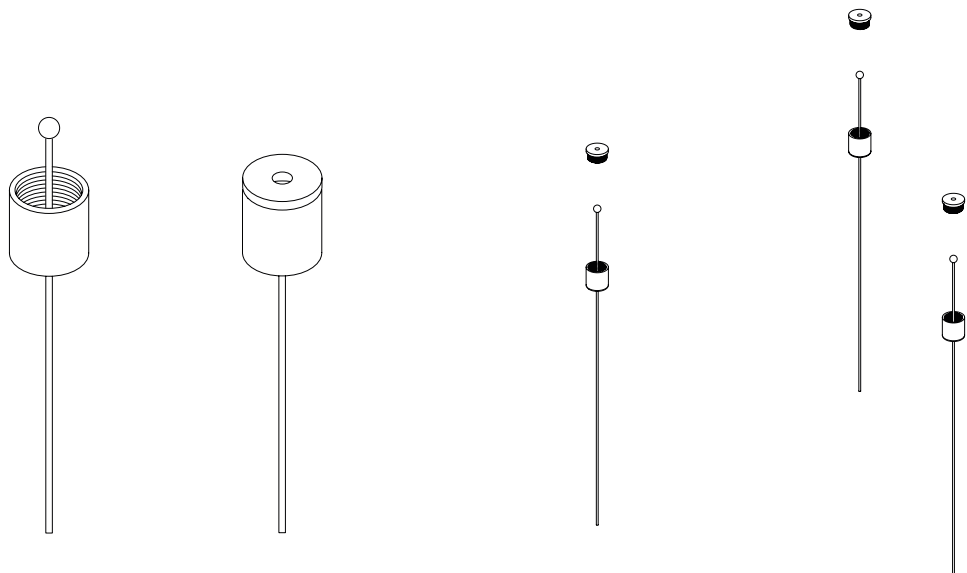


Make sure you use the correct type of drill for the material you are drilling into

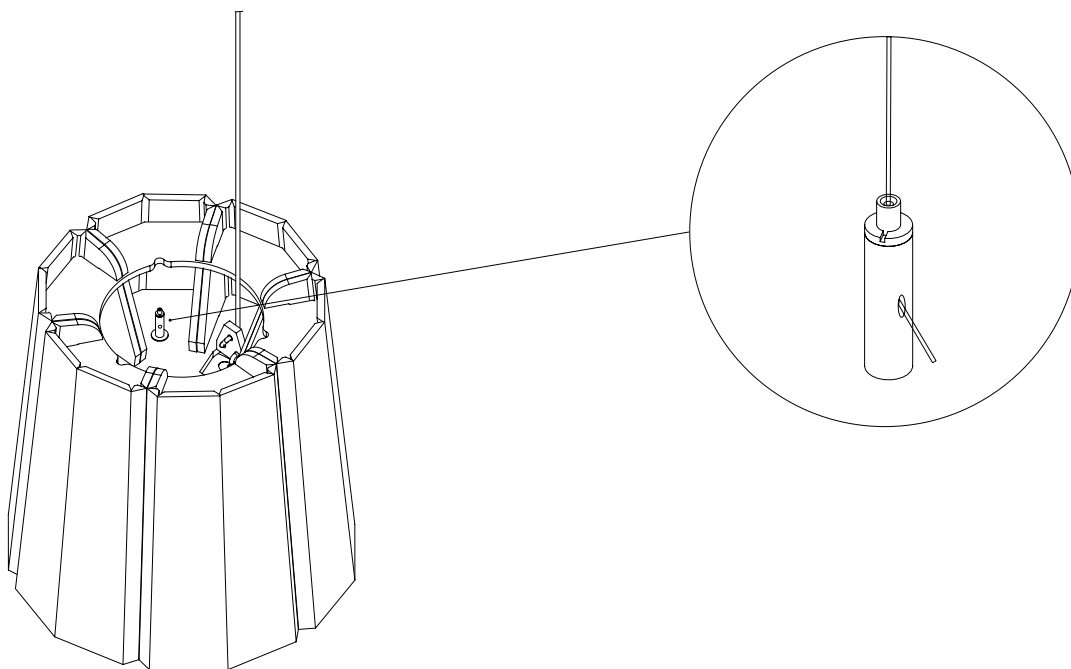
⑤ Insert plugs and screw the ceiling mount disk into the plug



- 
- ⑥ Insert the steel cable into the ceiling cap. Then mount the ceiling cap on the ceiling mount disk



- 
- ⑦ Push the three steel cables into the cable adjusters on the lampshade and adjust them to the correct height

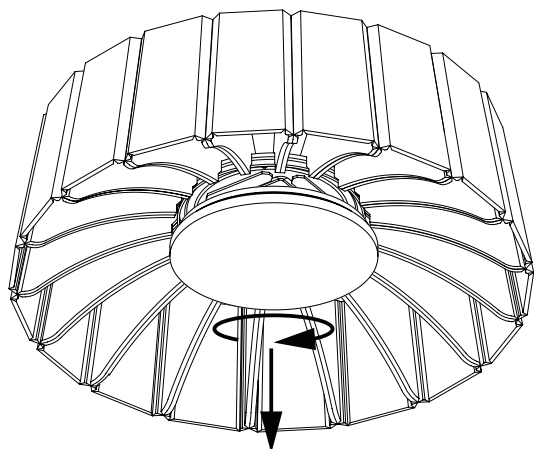


- 
- ⑧ Connect to power supply - and you are done!

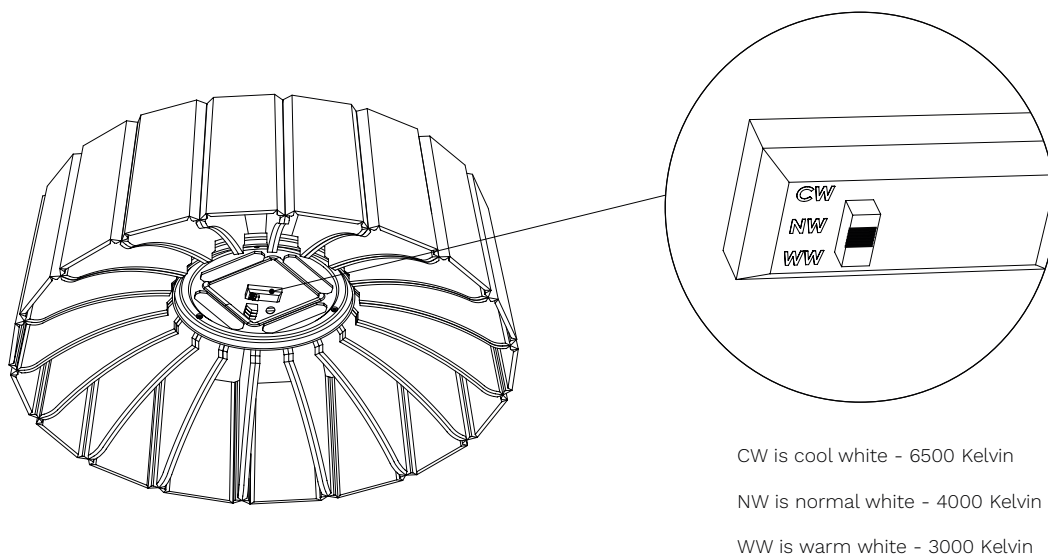
## SWITCHING COLOR TEMPERATURE

---

- ① Make sure the power is switched off
  - ② Rotate the cover clockwise to loosen it from the LED module base
- 



- ③ Set the switch to the desired color temperature
- 



- ④ Align the notches in the cover with the pins on the base of the LED module.  
Tighten the cover counter clockwise onto the LED module base

