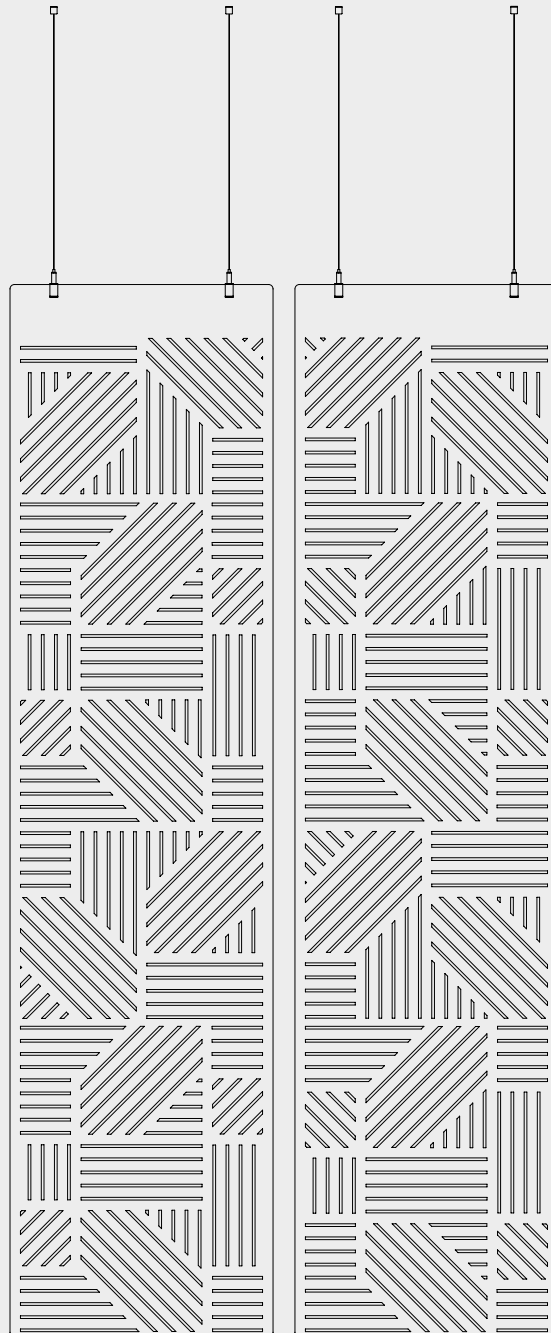


# REFELT

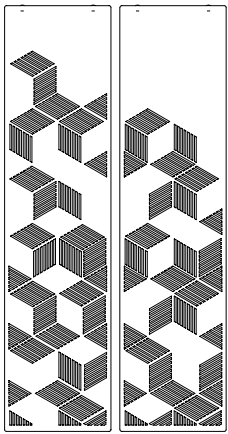
# HANGING DIVIDERS

## INSTALLATION GUIDE



# INSTALLATION

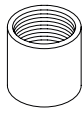
## Parts required



2x  
PET Felt dividers



4x  
Ceiling mount  
top  
001



4x  
Ceiling mount  
bottom  
002



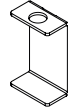
4x  
Cable gripper  
003



4x  
M6 nut  
004



4x  
Steel wire  
005



8x  
Bracket  
006

! Make sure to use the mounting materials suitable for your ceiling type

### Not included



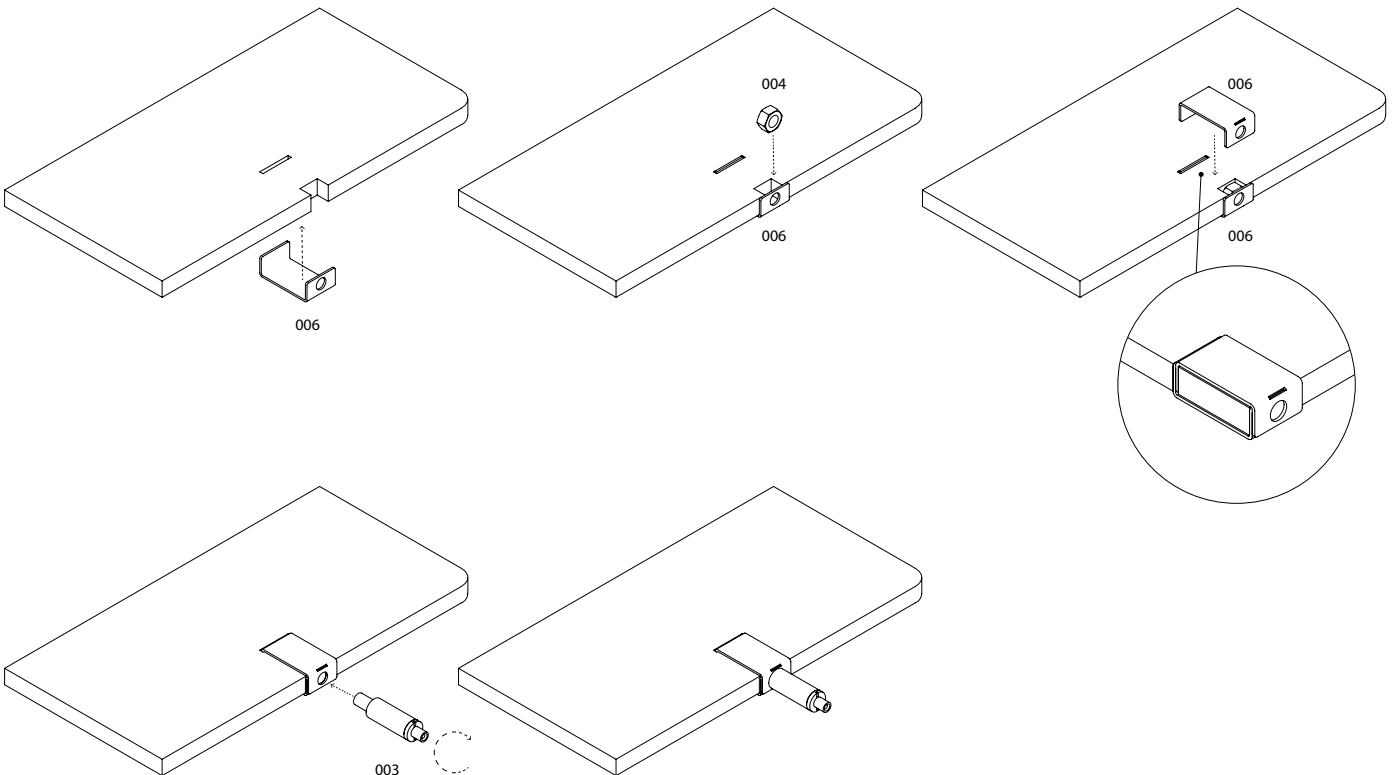
3x  
Screws  
\*4x40



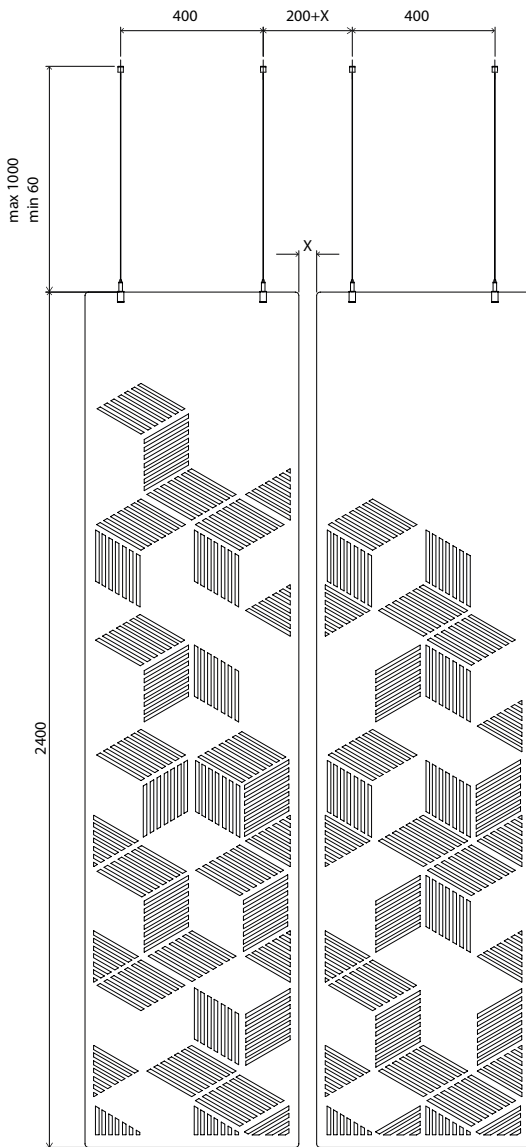
3x  
Plugs

\* Recommended minimum size

## ① Mounting a bracket

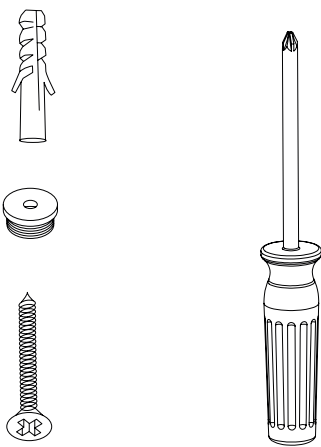


② Determine the positioning of the dividers and drill the holes accordingly

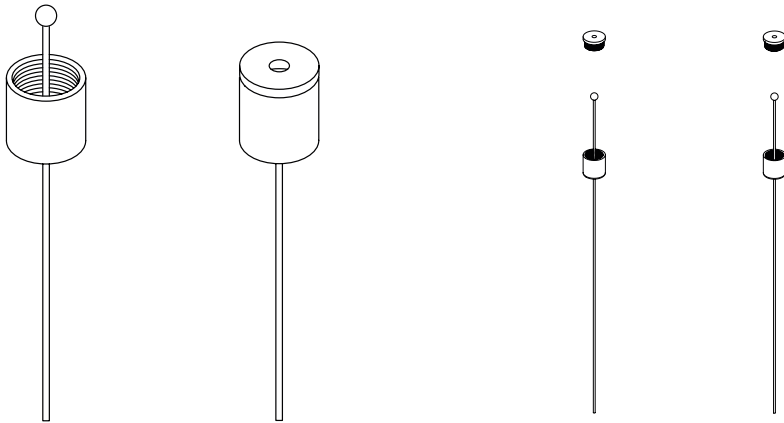


! Make sure you use the correct type of tools and mounting materials for the type of ceiling

③ Insert plugs and screw the ceiling mount disk into the plug



- 
- ④ Insert the steel cable into the ceiling cap. Then mount the ceiling cap on the ceiling mount disk



- 
- ⑤ Push the steel cables into the cable adjusters and set them at the desired height

