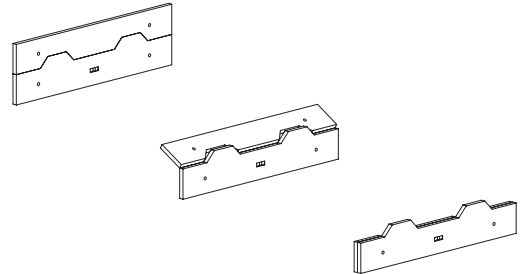


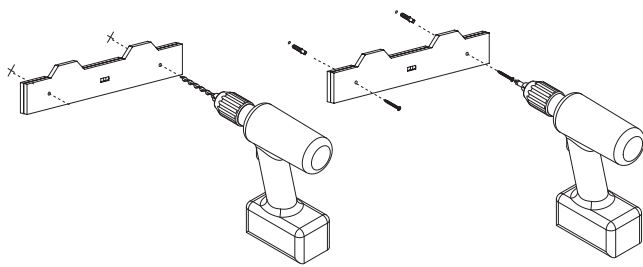
①

Determine the position of the EasyAcoustics Square.



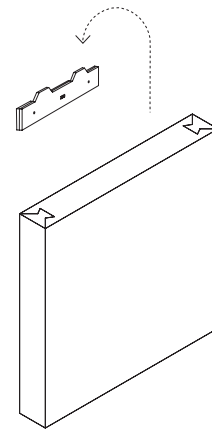
②

Place the spirit level in the cut-out of the french cleat.



③

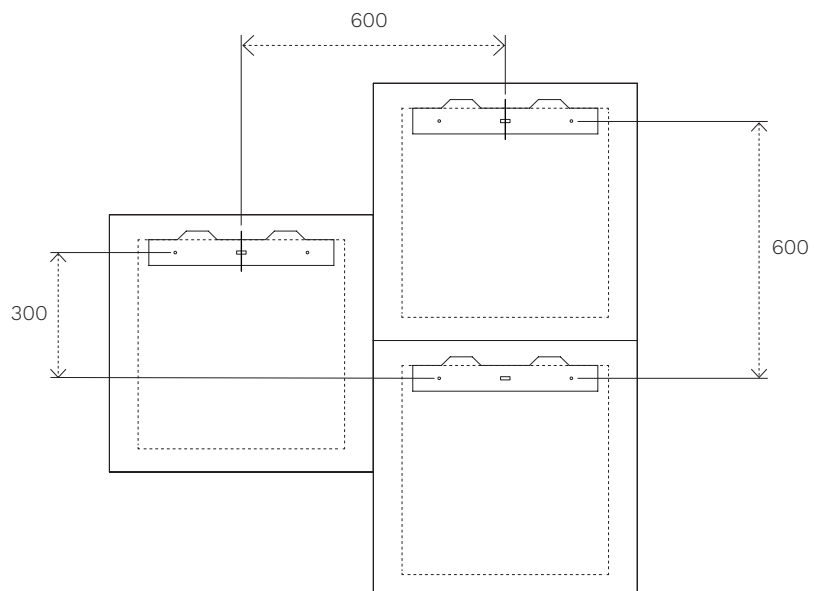
Measure out, drill the holes and attach the french cleat.

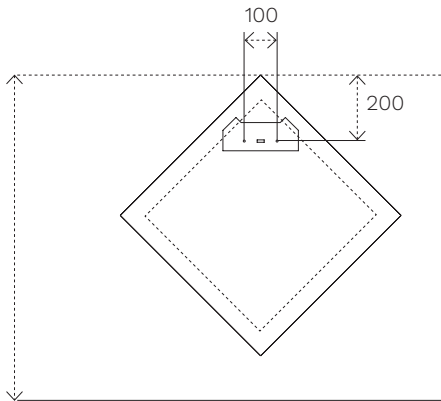


④

Once the cleat is secured to the wall, the EasyAcoustics can easily be inserted on it.

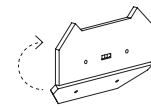
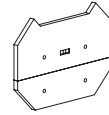
In case you would like to create a pattern the following measurements are required. We recommend to lay it out on the floor first.





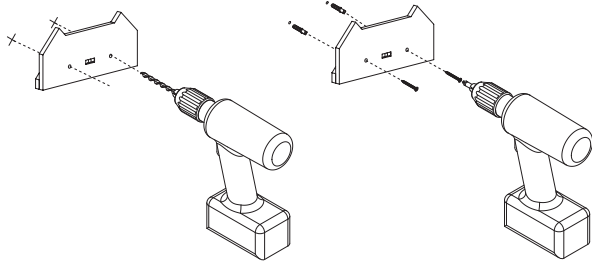
①

Determine the position of the EasyAcoustics Hexagon.



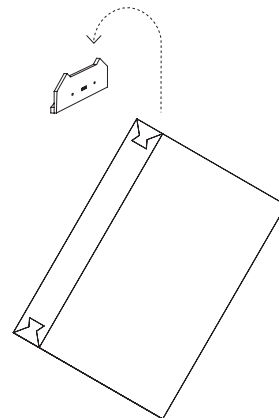
②

Place the spirit level in the cut-out of the french cleat.



③

Measure out, drill the holes and attach the french cleat.



④

Once the cleat is secured to the wall, the EasyAcoustics can easily be inserted on it.

In case you would like to create a pattern the following measurements are required. We recommend to lay it out on the floor first.

